

CE-V

Vertical

CHOKES
Common
Mode

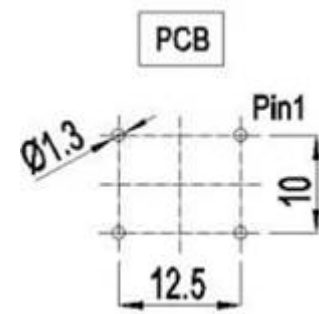
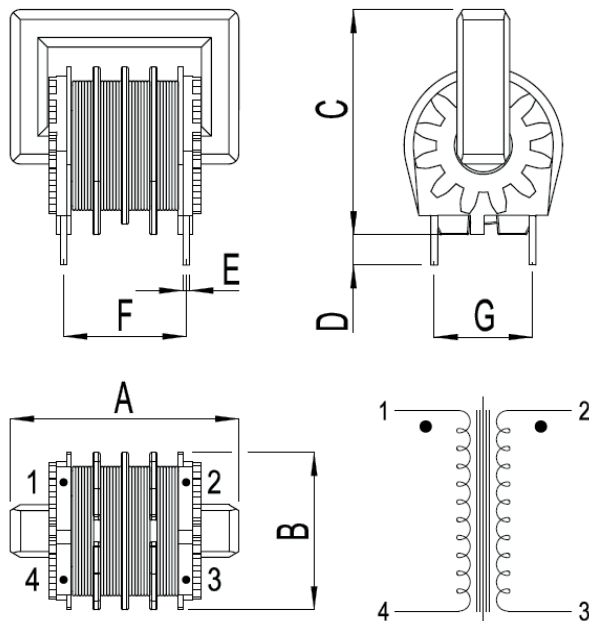
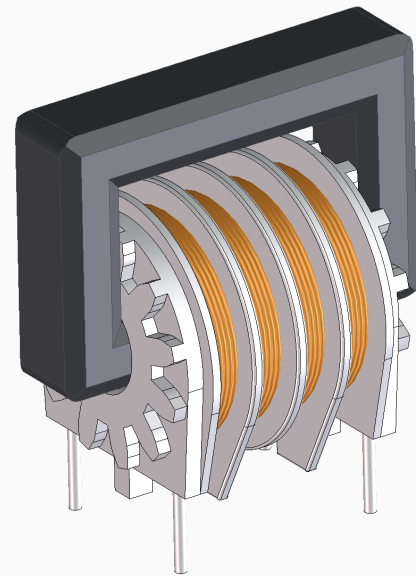


Main characteristics

- Max working voltage 250V
- Rated current up to 2.2A
- Working temperature 40°C
- High resonance frequency
- Reduction of broadband noise
- Noise suppression even in differential mode
- UL conforming materials

Technical data

Other values are available on request



Mechanical data (dimensions in mm)

Model	L nominal ±30% (20°C) mH	DC resistance R typ (20°C) mΩ	Rated current I (40°C) A	High voltage test KV
CE21V- 100M00A4	100	4500	0.35	1.5
CE21V- 068M00A4	68	3000	0.4	1.5
CE21V- 047M00A5	47	2000	0.5	1.5
CE21V- 039M00A6	39	1500	0.6	1.5
CE21V- 027M00A7	27	1000	0.7	1.5
CE21V- 022M00A8	22	800	0.8	1.5
CE21V- 015M00A9	15	600	0.9	1.5
CE21V- 010M01A1	10	400	1.1	1.5
CE21V- 006M81A3	6.8	280	1.3	1.5
CE21V- 003M31A8	3.3	140	1.8	1.5
CE21V- 001M02A2	1	29	1.8	1.5
CE24V- 100M00A4	100	3000	0.4	1.5
CE24V- 060M00A6	60	1200	0.6	1.5
CE24V- 047M00A6	47	1400	0.6	1.5
CE24V- 039M00A7	39	1100	0.7	1.5
CE24V- 027M00A9	27	750	0.9	1.5
CE24V- 022M01A0	22	580	1.0	1.5
CE24V- 015M01A1	15	440	1.1	1.5
CE24V- 010M01A4	10	300	1.4	1.5
CE24V- 006M81A7	6.8	190	1.7	1.5
CE24V- 003M32A2	3.3	110	2.2	1.5

	CE21V	CE24V	Tol.
A	21,5	24,5	MAX
B	15,5	17	MAX
C	21	24	MAX
D	3,5	3,5	+ 0.5
E	0,64	0,64	± 0.05
F	12,5	12,5	± 0.4
G	10,0	10,0	± 0.4