

# EE 20

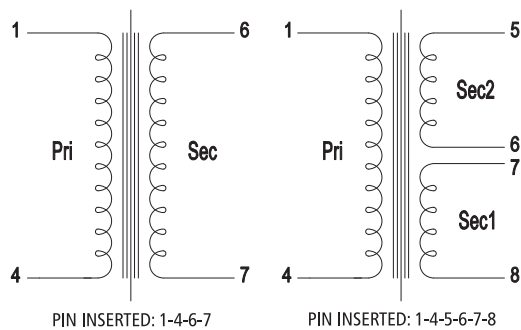
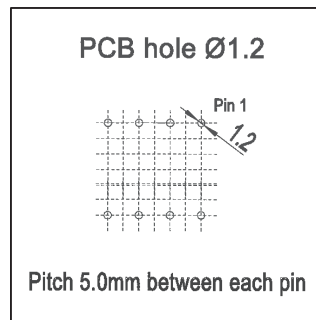
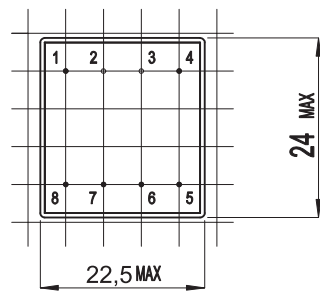
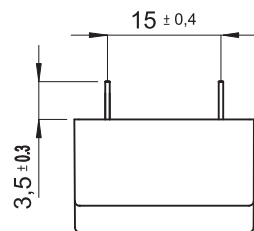
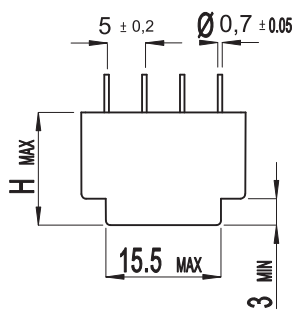
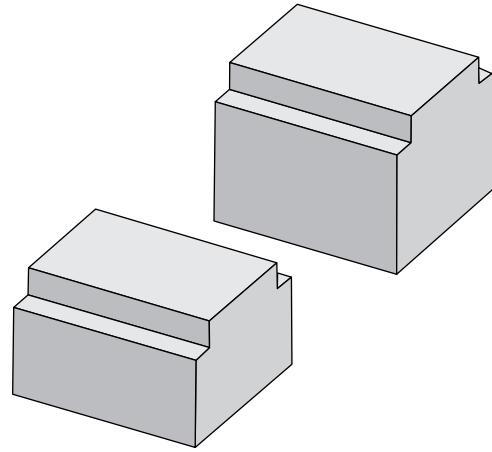
Safety transformers



Max power rating 0,5VA  
Ambient temperature 70°C  
Thermal class F

Constructed according to:  
EN 61558-1, EN 61558-2-6

#  
Protection  
(A) Inherently short-circuit proof  
(1) UL approval according to UL5085-1 UL5085-3  
CAN/CSA approval according to C22.2 no. 66.1-06 no. 66.3-06  
For versions with primary 115V or 230V and single secondary output



ta 70°C

Stack height	Approval	H	#	Power	Secondary		Weight
					1x( )V	2x( )V	
6,1	1	15,2	A	0,35	4...24	2...14	28
10,5	1	19,5	A	0,5	4...24	2...14	38